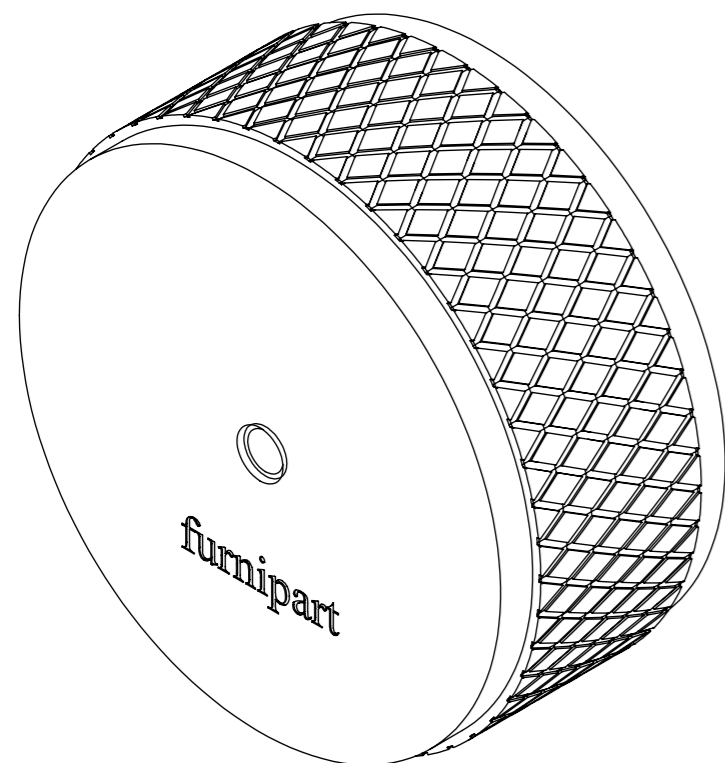
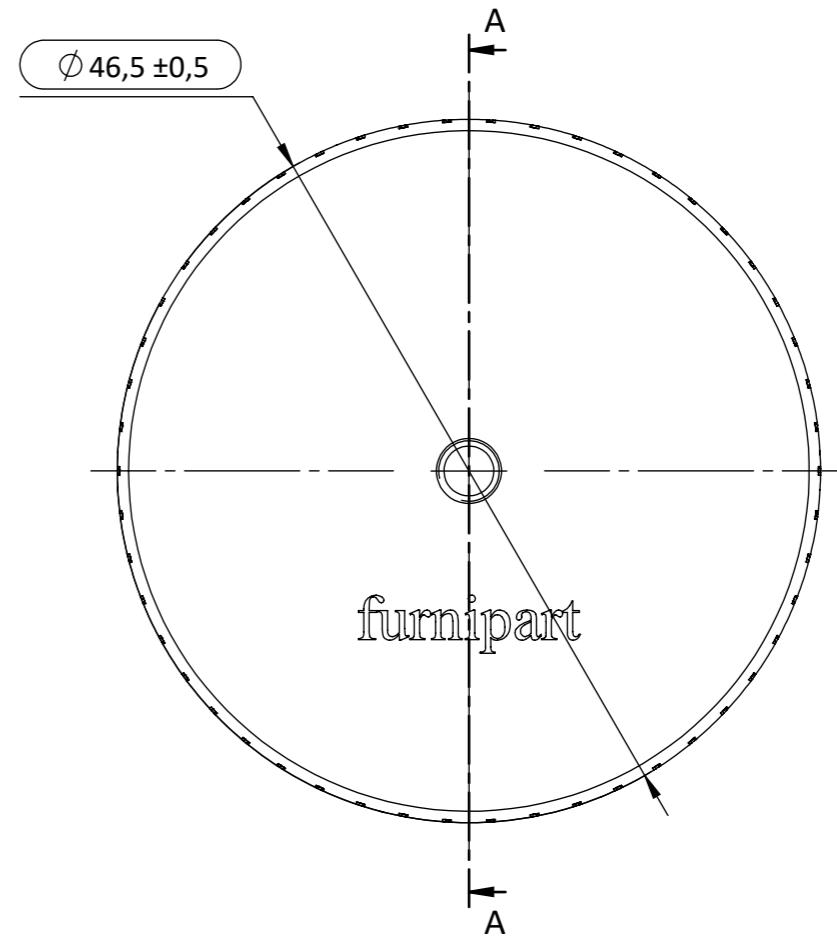


SECTION A-A



Rev.:	Date:	Name:	Description:
--	---	---	---
--	---	---	---
--	---	---	---
--	---	---	---

Part name: <b>HARLEQUIN</b>	Projection: 	Sheet format: <b>A3</b>	Tolerance unless otherwise specified DS/ISO 2768-1M Linear dimensions: <table border="1"> <tr> <td>0-3</td> <td>3-6</td> <td>6-30</td> <td>30-120</td> <td>120-400</td> <td>400-1000</td> <td>1000-2000</td> </tr> <tr> <td>±0,1</td> <td>±0,1</td> <td>±0,2</td> <td>±0,3</td> <td>±0,5</td> <td>±0,8</td> <td>±1,2</td> </tr> </table>	0-3	3-6	6-30	30-120	120-400	400-1000	1000-2000	±0,1	±0,1	±0,2	±0,3	±0,5	±0,8	±1,2
0-3	3-6	6-30		30-120	120-400	400-1000	1000-2000										
±0,1	±0,1	±0,2	±0,3	±0,5	±0,8	±1,2											
Customer:	Drawn by: <b>IBL</b>	Scale: <b>2:1</b>	<table border="1"> <tr> <td>Angle</td> <td>Radius</td> </tr> <tr> <td>±0,5°</td> <td>±5%</td> </tr> </table>	Angle	Radius	±0,5°	±5%										
Angle	Radius																
±0,5°	±5%																
Part no.: <b>240830XXX</b>	Material: <b>AISI 304</b>	Sheet 1 of 1	<table border="1"> <tr> <td colspan="2"><b>furnipart®</b></td> </tr> <tr> <td>Delta 2 DK-8382 Hinnerup</td> <td>Phone: +45 87 64 35 00 E-mail: fp@furnipart.com</td> </tr> </table>	<b>furnipart®</b>		Delta 2 DK-8382 Hinnerup	Phone: +45 87 64 35 00 E-mail: fp@furnipart.com										
<b>furnipart®</b>																	
Delta 2 DK-8382 Hinnerup	Phone: +45 87 64 35 00 E-mail: fp@furnipart.com																
Weight: <b>278.32</b>		COPYRIGHT: THIS DRAWING MAY NOT BE COPIED OR REPRODUCED IN ANY WAY WITHOUT DIRECT PERMISSION FROM FURNIPART A/S															